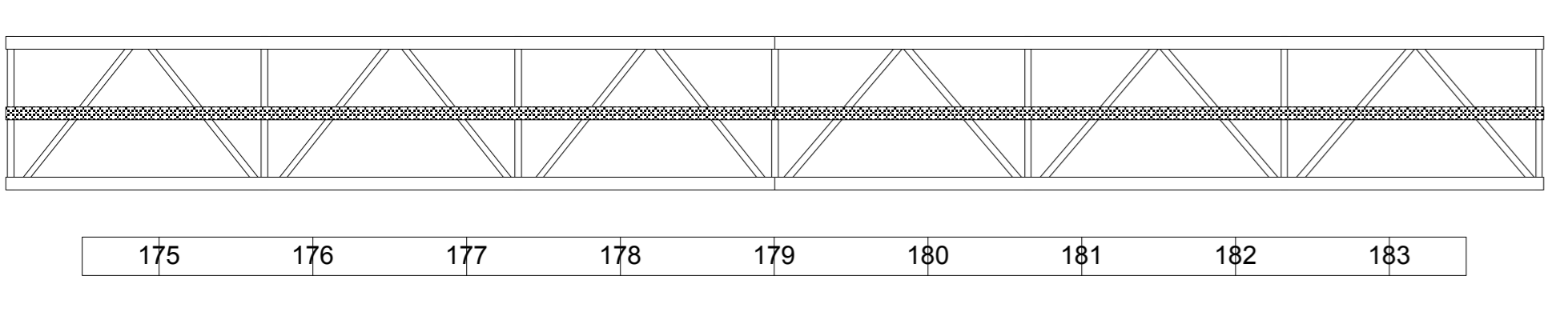


FOH 1

FOH 2L



FOH 2R

